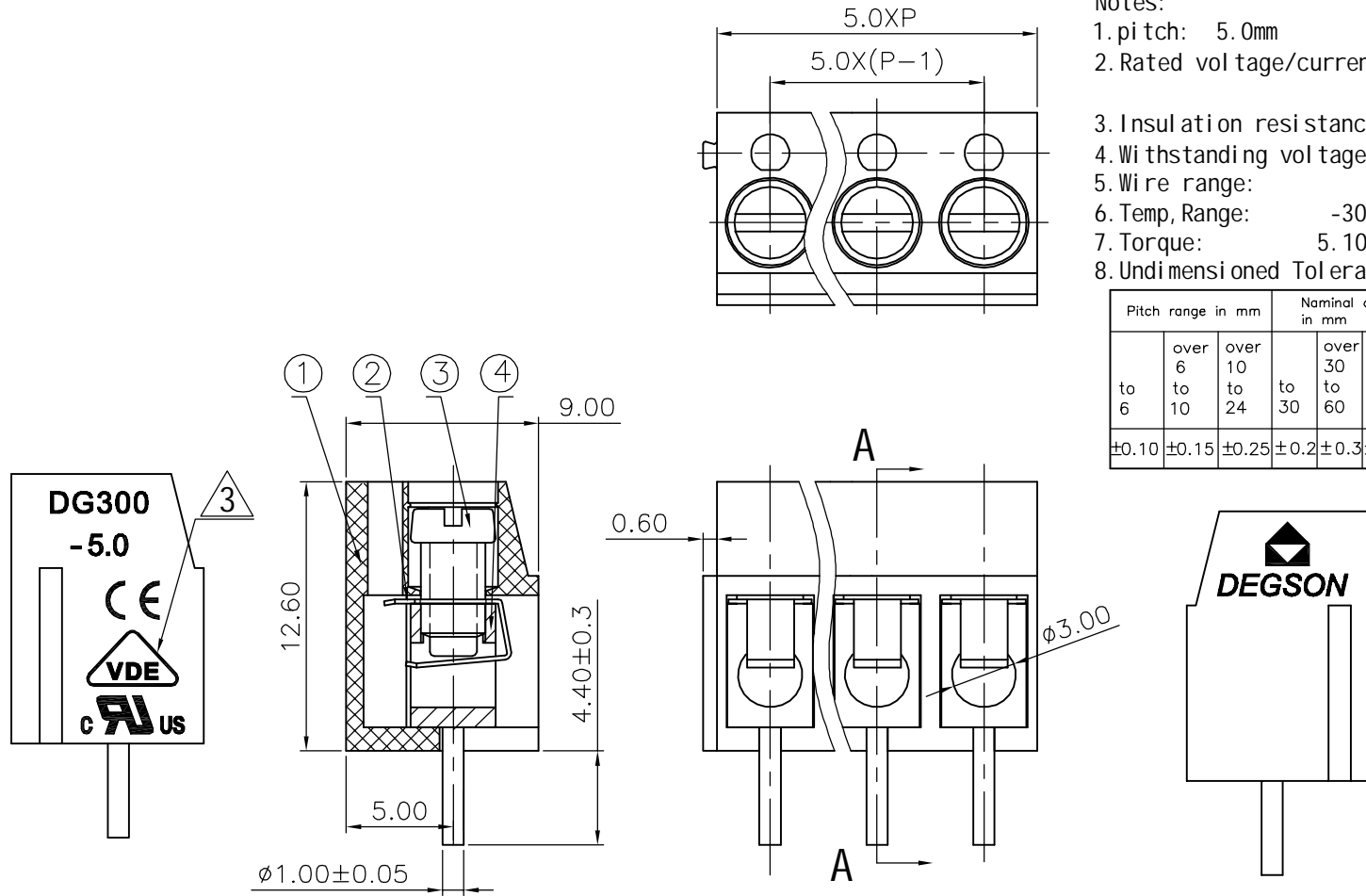


REVISION RECORD				
REV	ECO	DESCRIPTION	DRFT	DATE
△		Drawing Revise	Haoyh	03/14/06
△		增加VDE、CE标志	LJH	12/24/07

Notes:

1. pitch: 5.0mm
2. Rated voltage/current: UL 300V/10A
VDE 250V/24A
3. Insulation resistance: 5000MΩ/1000V
4. Withstanding voltage: AC2000V/1Min
5. Wire range: 22-14AWG 2.5mm²
6. Temp. Range: -30° C~+120° C
7. Torque: 5.10kgf.cm
8. Undimensioned Tolerances:

Pitch range in mm		Nominal dimension range in mm						
to 6	over 6 to 10	over 10 to 24	to 30	over 30 to 60	over 60 to 100	over 100 to 150	over 150	∩ ∇
±0.10	±0.15	±0.25	±0.2	±0.3	±0.5	±0.7	±1.0	0.05/0.10



SECTION A-A

4	DG300(A) Pin header	4001B00010(H)	XX	Brass	SnCe
3	DG300 Screws	S000001380(H)	XX	Steel	Cr ³⁺ Zn
2	DG300 Spring	X000000230(H)	XX	Stainless steel	

ITEM	NAME OF PART	NO. OF PART	Q'TY	MATERIAL	NOTES
1	DG300-5.0-Housing	4007A0YXXA(H)	1	PBT	UL94V-0

MM (INCH)	DFTO huangwei	DATE 01/27/05
TOLERANCES EXCEPT AS NOTED	CHKD	DATE
	MFO	DATE
	APPVL	DATE
MM	MATERIAL :	
.0 ±	G.E :	
.00 ±	FINISH :	
.000 ±	SCALE : 1:1	
ANGLES ± 1°	DO NOT SCALE DRAWING	
THIRD ANGLE PROJECTION	SHEET 1 OF 1	

宁波高正电子有限公司 DEGSON ELECTRONICS CO., LTD	
NAME	
DG300-5.0-XXP-1Y-00A(H)	
DRAWING NO. DG300-5.0-E02	SIZE
/PART NO.	A3
	REV T3 12/24/07