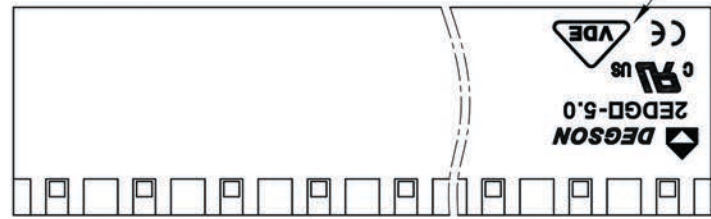
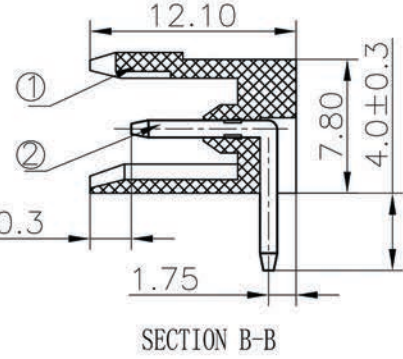
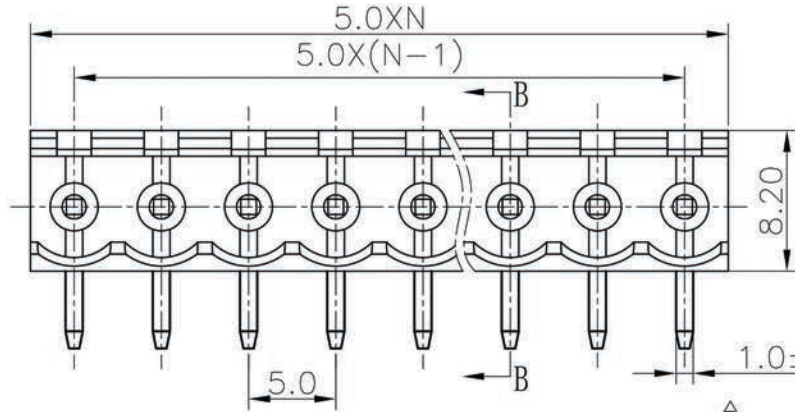


REVISION RECORD				
REV	ECO	DESCRIPTION	DRFT	DATE
△		4.5±0.1变更到4.0±0.2	DZJ	06/14/09
△		Drawing amend	CSX	01/10/08
△		增加刻字	YeJ	02/29/08
△		增加自动化方针	WLM	09/23/08
△		修改刻字位置	WLM	12/13/08
△	10-039	增加标注尺寸	COCO	09/30/10



- Notes:
1. Pitch:5.0mm, Poles:2-24p
 2. Rated voltage/current:UL 300V/15A
VDE 320V/20A
 3. Operation temperatures:-40° C~+105° C
 4. Withstanding voltage: AC2000V/1Min
 5. Insulation resistance:5000MΩ/DC1000V
 6. Undimensioned Tolerances:

Pitch range in mm		Nominal dimension range in mm						
to	over	to	to	to	to	to		
6	10	10	24	30	60	100	150	—
±0.10	±0.15	±0.25	±0.2	±0.3	±0.5	±0.7	±1.0	0.05/10

2	2EDGR-Pin header	△1008B00120 (H)	XX	Brass	Automatic assembly
2	2EDGR(A)-Pin header	1008B00040 (H)	XX	Brass	Manual assembly
1	2EDGR-5.0-Housing	1018A0YXXA (H)	1	PA66	UL94V-0
ITEM	NAME OF PART	NO. OF PART	Q'TY	MATERIAL	NOTES
TOLERANCES EXCEPT AS NOTED		DFTO CSX	DATE 03/05/05	宁波高正电子有限公司 DEGSON ELECTRONICS CO., LTD NAME 2EDGR-5.0-XXP-1Y-00A (H)	
MM (INCH)		CHKD	DATE		
TOLERANCES EXCEPT AS NOTED		MFO	DATE		
DETAILED LISTS		APPL	DATE		
MM		MATERIAL :		DRAWING NO. 2EDGR-5.0-E03	
.0 ±		±		/PART NO.	
.00 ±		±		SIZE A3	
.000 ±		±		REV T6	
ANGLES ± 1'		G.E. :		09/30/10	
THIRD ANGLE PROJECTION		FINISH :		DO NOT SCALE DRAWING	
		SCALE : 1:1		SHEET 1 OF 1	