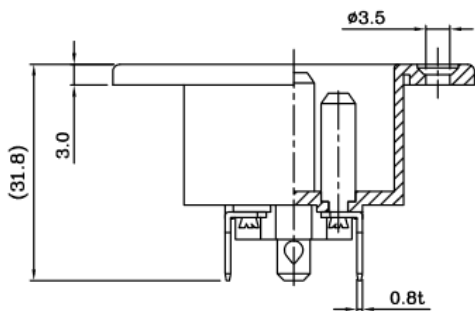


PANEL CUT-OUT



| A | | |
|-----------|-----------|-----------|
| R-305(00) | R-305(01) | R-305(02) |
| | | |

SPECIFICATION:

1. Insulation Resistance: Over 100MΩ at 500V DC.
2. Dielectric strength: 2000V AC 1 Minute.
3. Body Material: Thermoplastic 94V-0~2.

| Rating:AC 16A 250V | |
|--------------------|-------------------|
| Mark | Safety Regulation |
| | VDE |
| | ENEC |
| | CCC |
| Rating:AC 20A 250V | |
| Mark | Safety Regulation |
| | UL |
| | CUL |

IMPORTANT THIS DRAWING FOR REFERENCE ONLY 注意：此圖只供參考用

| | | | | | | |
|----------|-----------------------|-------------|-----------------------|-------------|-------------|-------------|
| | UNIT | UNIT QTY | SCALE | TOLERANCE | PRODUCT NO. | REV |
| | mm | 1 | 1:1 | | | |
| DRAWN BY | RD 99.10.11 張育誠 | APPROVED BY | RD 99.10.18 戴銘璋 | ID NO | 101011A06 | INTERIM NO. |
| | | | | DESCRIPTION | | NEW NO. |

CS-041

C