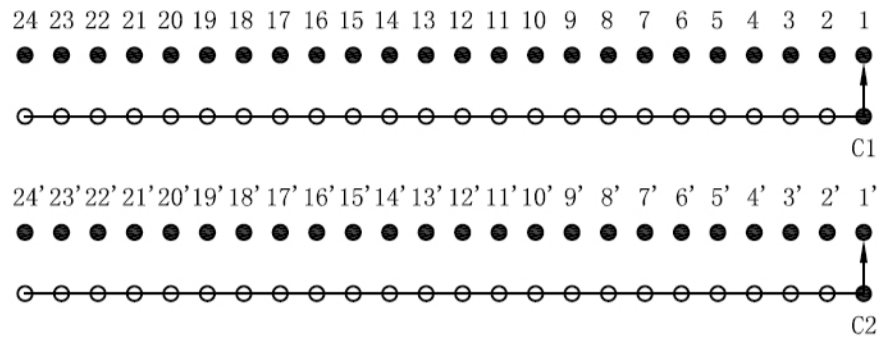
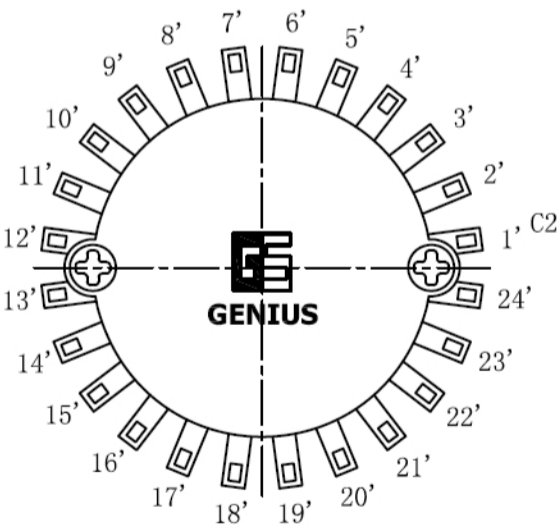
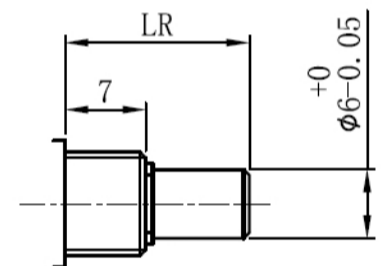
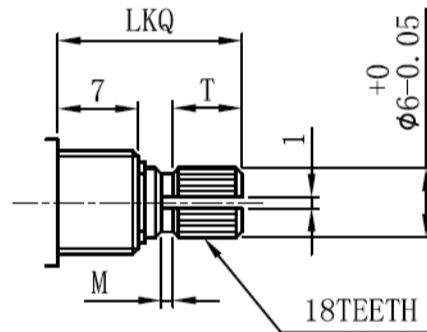
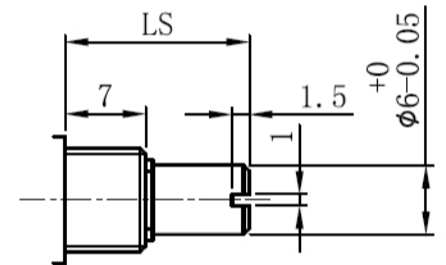
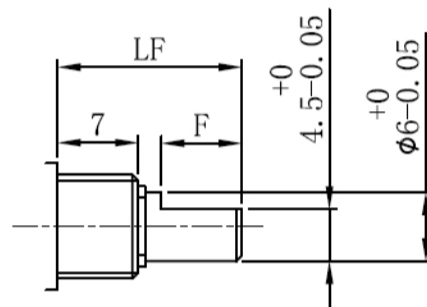
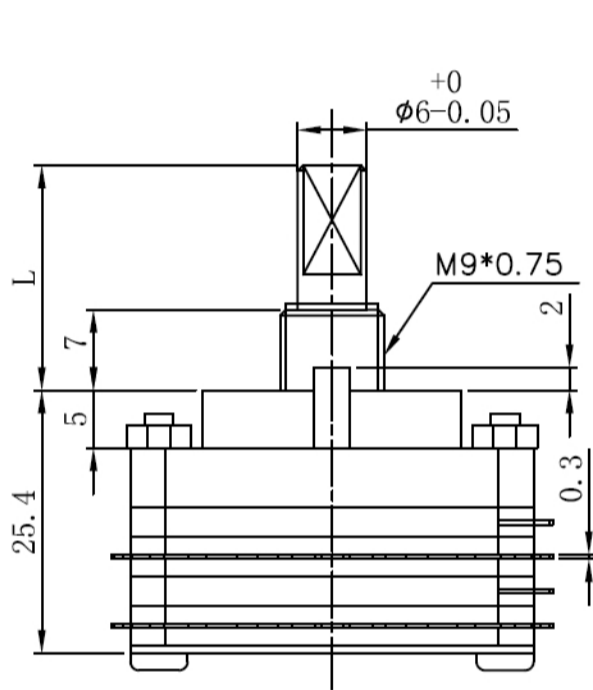


SHAFT SHOWN IN FULL C.C.W. POSITION



Circuit Diagram



X=R		X=S		X=KQ				X=F		
W	L _R	W	L _S	W	L _{KQ}	T	M	W	L _F	F
10	10	10	10	10	10	2	0.5	10	10	2
12	12	12	12	12	12	3	1	12	12	3
13	13	13	13	13	13	4	1	13	13	4
15	15	15	15	15	15	5.5	1	15	15	7
17	17	20	20	20	20	8.5	2	20	20	12
20	20	25	25	25	25	12	2	25	25	12
25	25	30	30	30	30	12	2	30	30	12
30	30									

		NAME		RCL371-2-16-2	
		Factory		RUI CHI	
DATE	DESCRIPTION				
TOLERANCE	SCALE	DRAWN BY		CHECK BY	APPROVED BY
less than 10 ±0.3		<i>Zeng</i>		2. 2. 24-345°	
above 10-30 ±0.5					
above 30-100 ±1.0		2017.07.10			