

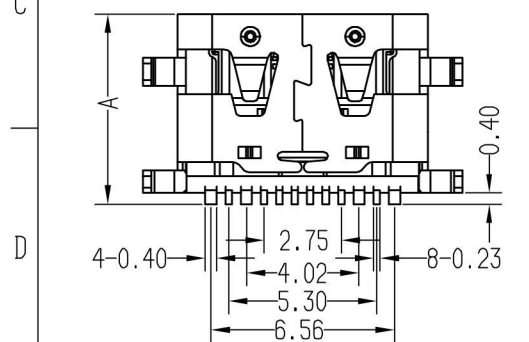
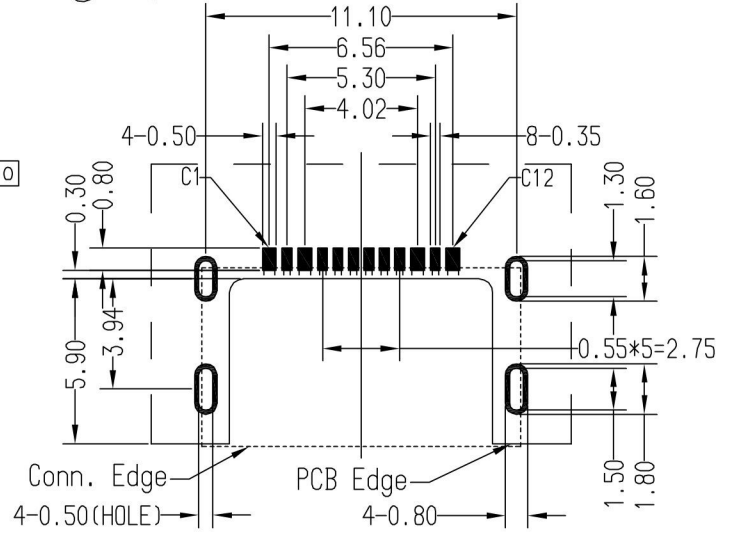
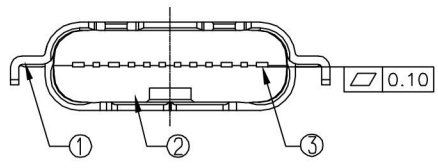
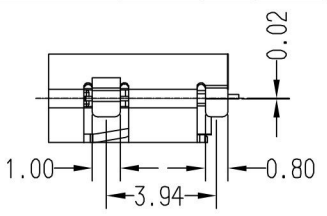
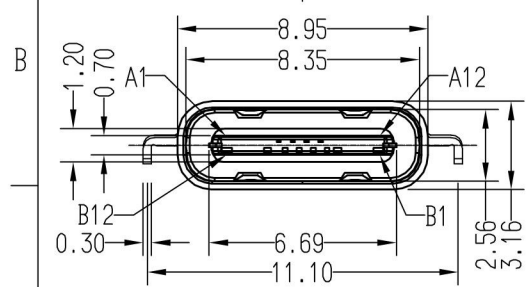
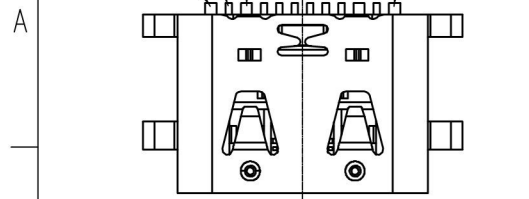
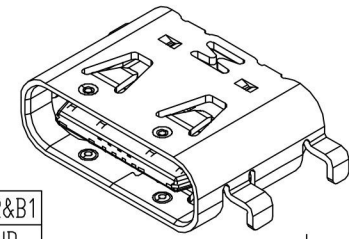
| Rev. | ECN No.    | DESCRIPTION |
|------|------------|-------------|
| X6   | 2016/08/26 | Update      |
| X7   | 2016/12/06 | Update      |
| X8   | 2016/12/08 | Update      |

INTERFACE(FRONT VIEW)

| A1  | A2  | A3  | A4               | A5   | A6 | A7 | A8   | A9               | A10 | A11 | A12 |
|-----|-----|-----|------------------|------|----|----|------|------------------|-----|-----|-----|
| GND | /   | /   | V <sub>BUS</sub> | CC1  | D+ | D- | SBU1 | V <sub>BUS</sub> | /   | /   | GND |
| GND | /   | /   | V <sub>BUS</sub> | SBU2 | D- | D+ | CC2  | V <sub>BUS</sub> | /   | /   | GND |
| B12 | B11 | B10 | B9               | B8   | B7 | B6 | B5   | B4               | B3  | B2  | B1  |

PIN ASSIGNMENT:

| Pin No.     | A1&B12 | B8   | A4&B9            | B7 | A5  | A6 | A7 | A8   | B6 | A9&B4            | B5  | A12&B1 |
|-------------|--------|------|------------------|----|-----|----|----|------|----|------------------|-----|--------|
| Signal Name | GND    | SBU2 | V <sub>BUS</sub> | D- | CC1 | D+ | D- | SBU1 | D+ | V <sub>BUS</sub> | CC2 | GND    |
| PCB PAD No. | C1     | C2   | C3               | C4 | C5  | C6 | C7 | C8   | C9 | C10              | C11 | C12    |



PRODUCT NO.: C.LK.11 2 - 16 \* \* - 0 2 4

Prefix Code: C.LK.11  
 Series Code: 2  
 USB Type C Conn.  
 Connector Type: 16  
 Pin Number 16: 16Pin  
 Plating: 1:Gold flash, 2:15u" Au, 3:30u" Au

Lead Free Code: 4=Halogen Free  
 Package Code: 2=Tap/Reel  
 Body&Terminal Type: Right Angle&SMT  
 Extension Code: 024

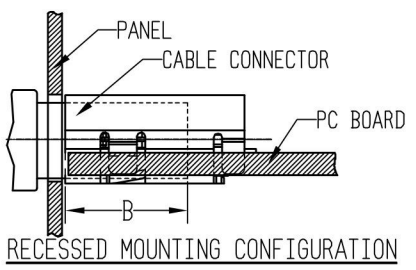
ITEM:USB3.1 TYPE-C 16PF-076

RECOMMENDED P.C.B LAYOUT (COMPONENT SIDE)

PCB THICKNESS: 0.80±0.05mm  
 DEFAULT TOLERANCE: ±0.05mm

| PART No.          | Dim A | Dim B |
|-------------------|-------|-------|
| C.LK.112-16*A-024 | 6.50  | 4.40  |

- NOTES:
- ELECTRICAL CHARACTERISTICS:
    - CONTACT CURRENT RATING: 5.0A FOR V<sub>BUS</sub> PIN AND GND PIN. 0.25A MIN FOR ALL OTHER TERMINALS.
    - CONTACT RESISTANCE: 30MILLIOHM MAX FOR V<sub>BUS</sub> AND GND CONTACTS. 50MILLIOHM MAX FOR ALL OTHER CONTACTS.
    - DIELECTRIC WITHSTANDING VOLTAGE:100 VRMS AC MIN.
    - INSULATION RESISTANCE:100 MEGOHMS MIN.
  - MECHANICAL CHARACTERISTICS:
    - CONNECTOR INSERTION FORCE:5~20N. AT A MAXIMUN RATE OF 12.5MM PER SECOND.
    - CONNECTOR EXTRACTION FORCE:8~20N. AT A MAXIMUN RATE OF 12.5MM PER SECOND.
    - DURABILITY:10000 CYCLES.
    - OPERATING TEMPERATURE:-55° C TO +85° C.
  - RECOMMENED PROCESS: IR REFLOW 260° C,3~5SECONDS.
  - THE CONNECTOR IS RoHS COMPLIANT.



| NO. | DESCRIPTION | QTY | MATERIAL               | TREATMENT   |
|-----|-------------|-----|------------------------|---|
| ③   | CONTACT     | 12  | COPPER ALLOY           | NICKEL UNDERPLATING OVER ALL, GOLD PLATING AT CONTACT AREA AND TERMINATION. |
| ②   | PLASTIC     | 1   | THERMOPLASTIC UL 94V-0 | MOLDED COLOR: BLACK.  |
| ①   | SHELL       | 1   | STAINLESS STEEL        | TAB WITH LEAD FREE TIN ALLOY.   |

TOLERANCES UNLESS OTHERWISE SPECIFIED

|     |       |      |     |
|-----|-------|------|-----|
| X.  | /     | .XXX | /   |
| .X  | ±0.38 | X.°  | ±1° |
| .XX | ±0.25 | .X.° |     |

**RUI CHI**

|                       |                                |
|-----------------------|--------------------------------|
| SERIES:<br>USB TYPE C | TITLE:<br>USB2.0+PD, SMT TYPE  |
| APPD: Bel 2016/12/08  | PART No.:<br>C.LK.112-16**-024 |
| CKD: Bruce 2016/12/08 | DWG No.:<br>CC0007             |
| DR: John 2016/12/08   |                                |

|             |            |             |               |              |            |
|-------------|------------|-------------|---------------|--------------|------------|
| UNITS<br>MM | MAT'L<br>/ | FINISH<br>/ | SCALE<br>FULL | SHEET<br>1/1 | REV.<br>X8 |
|-------------|------------|-------------|---------------|--------------|------------|