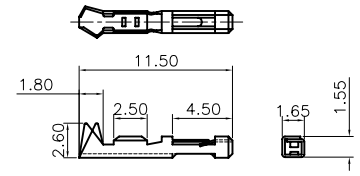


1 2 3 4 5 6 7 8

REV.	DESCRIPTION	DRAWN	CHECKED	APPROVED

FEMALE TERMINAL



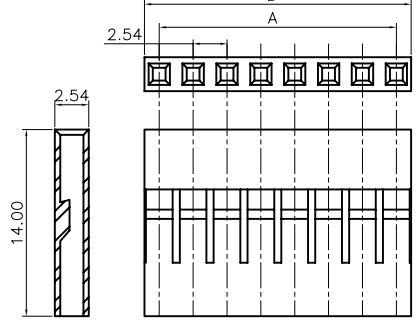
Female Terminal

Wire Range		O.D of Wire
Section Area (mm ²)	AWG#	mm
0.05~0.3	28~22	1.7

NOTES:

- MAIN SPECIFICATIONS
 - Housing material: NYLON 66
 - Wire range: AWG#28~#22
 - Rated voltage: 250V
 - Rated current: 1A
 - Contact resistance: ≤ 30mΩ
 - Insulation resistance: ≥ 1000MΩ
 - Withstanding voltage: 500V,AC 1 minute
 - Temperature range: -25 ~ +85°C
 - Recommend PC board thickness:1.6mm

FEMALE Housing



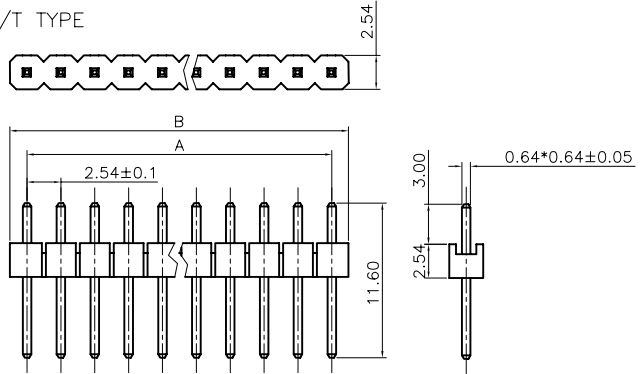
FEMALE HOUSING

Position	DIMENSION	
	A	B
1	-	2.8
2	2.54	5.4
3	5.08	7.9
4	7.62	10.5
5	10.16	13.0
6	12.70	15.5
7	15.24	18.0
8	17.78	20.0
9	20.32	23.2
10	22.86	25.7
11	25.40	28.2
12	27.94	30.8
13	30.48	33.3
14	33.02	35.8
15	35.56	38.4

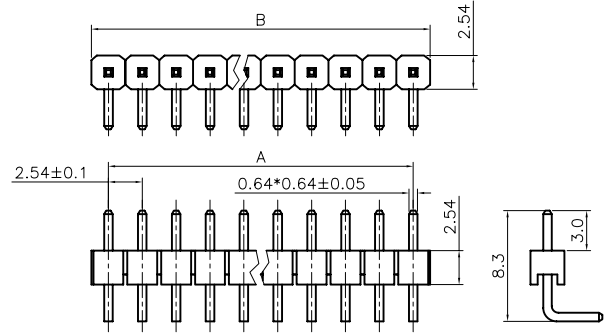
MALE

Position	DIMENSION	
	A	B
1	-	2.8
2	2.54	5.4
3	5.08	7.9
4	7.62	10.5
5	10.16	13.0
6	12.70	15.5
7	15.24	18.0
8	17.78	20.96
9	20.32	23.2
10	22.86	25.7
11	25.40	28.2
12	27.94	30.8
13	30.48	33.3
14	33.02	35.8
15	35.56	38.4

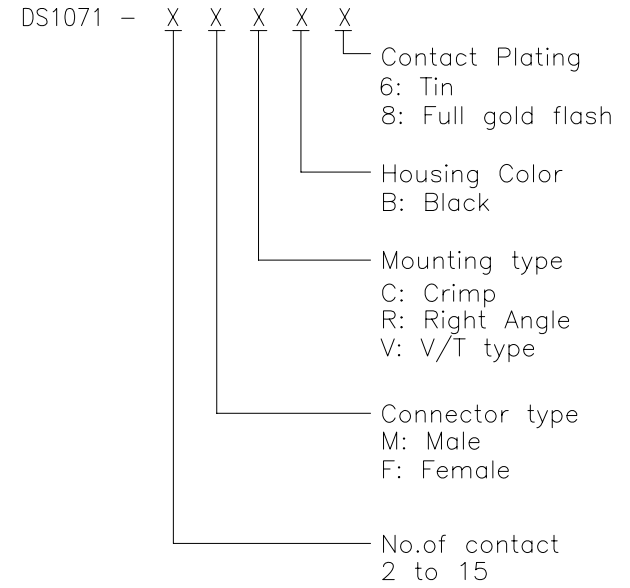
MALE V/T TYPE



MALE Right Angle TYPE



2. PRODUCT NUMBER CODE:



GENERAL TOLERANCE	ANGLE TOLERANCE	PROJECTION	TITLE
X. ±0.60	X. ±5°	mm	P.C.B CONNECTOR 2.54mm TJC8 TYPE
.X ±0.38	.X ±3°	A4	SHEET SIZE
.XX ±0.25	.XX ±2°		SERIES DS1071 SERIES
DRAWING TYPE CUSTOMER		BLS-2, BLS-3, BLS-4, BLS-5, BLS-6, BLS-7, BLS-8, BLS-9, BLS-10, BLS-11, BLS-12, BLS-12, BLS-13, BLS-14, BLS-15, BLS-16, BLS-17, BLS-18, BLS-20	
SCALE	1:1	SHEET	1 OF 1
DRAWING NO.	C-DS1071-XXXXX		

1 2 3 4 5 6 7 8